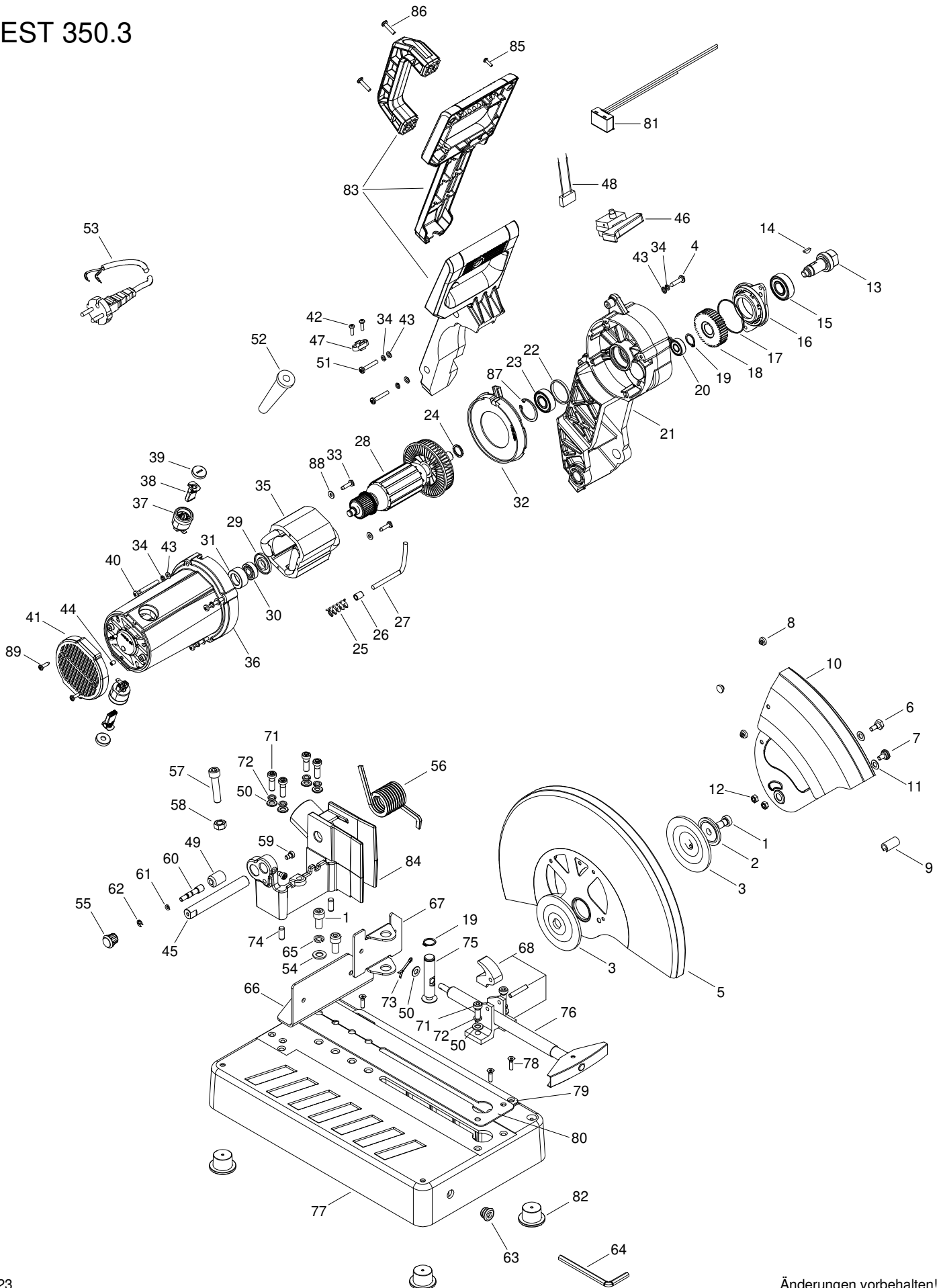




EST 350.3



**0663A000****EST 350.3 - 230V**

Version

01

Dated: 26.06.2024

Pos.	Description	Item No.	pc.	Pos.	Description	Item No.	pc.
1	Screw M10x20	80201146	3	41	Cap	6663A041	1
2	Pressure washer	6660C066	1	42	Screw 4x14	6660C081	2
3	Flange	66637003	2	43	Washer 5,3	80201374	10
4	Screw M5x25	80201205	4	44	Threaded pin M5x8	80201337	2
5	Protection hood	66637005	1	45	Pivot shaft	66637045	1
6	Screw M6x10	66637006	1	46	Switch	6663A046	1
7	Screw M6x10	66637007	1	47	Wire locking flange	66637047	1
8	Absorption buffer	66637008	3	48	Capacitor	6660W014	1
9	Protection sleeve	66637009	1	49	Bushing	66637049	1
10	Protection	66637010	1	50	Washer 8,4	80201377	7
11	Disc 8x15x0,5	66637011	2	51	Screw M5x25	80201205	2
12	Nut M6	80201032	2	52	Cable grommet	83000004	1
13	Work spindle	66637013	1	53	Connecting cable 2x1,5mm ² 2,2m	76637340	1
14	Woodruff key 4x5	66637014	1	54	Washer 10,5	80201380	2
15	Grooved ball bearing 6203 2RS	80410130	1	55	Locking knob	66637055	1
16	Bearing shield	66637016	1	56	Torsion spring	66637056	1
17	O-ring 52,8x1,2	66637017	1	57	Screw M10x45	80201225	1
18	Spindle wheel	6663A018	1	58	Nut M10	80201033	1
19	Retaining ring 16x1	80201316	2	59	Screw M6x10	80201123	2
20	Grooved ball bearing 6000 2Z	80410021	1	60	Spindle lock pin	66637060	1
21	Gearbox housing	66637021	1	61	O-ring 5x1,5	66811054	1
22	Rubber ring 35x4x1,5	66637022	1	62	Lock washer 6	80201504	1
23	Grooved ball bearing 6202 2RS	80410112	1	63	Rubber bush	66637063	1
24	Washer 15x20x2	6663A024	1	64	Allen key SW 8	80430044	1
25	Compression spring	66637025	1	65	Spring lock washer 10	80201311	2
26	Bush	66637026	1	66	Fence	66637066	1
27	Spindle lock	66637027	1	67	Clamping plate	66637067	1
28	Rotor, compl. 230V	6663A028	1	68	Thread rod lock bracket, compl.	6663A068	1
29	Isolation washer	6663A029	1	70	Support bracket	66637070	1
30	Grooved ball bearing 6000 2Z	80410021	1	71	Screw M8x25	80201145	6
31	Bearing cap	66637031	1	72	Spring lock washer 8	80201309	6
32	Air guiding ring	6663A032	1	73	Split pin 3,2x25	40600056	1
33	Screw 4,8x19	80201279	2	74	Parallel pin 8x20	80201645	2
34	Spring lock washer 5	80201302	10	75	Bolt	66637075	1
35	Stator, compl. 230V	6663A035	1	76	Thread rod, compl.	6663A076	1
36	Motor housing	6663A036	1	77	Base	66637077	1
37	Brush holder	6663A037	2	78	Screw M5x18	80201557	3
38	Carbon brush set	6663A038	1	79	Cover	66637079	1
39	Brush cap	6663A039	2	80	Flange plate	66637080	1
40	Screw M5x55	80201211	4	81	Initial current limiter	6663A081	1

List also valid for: 0663C000 Versio 01



0663A000

EST 350.3 - 230V

Version 01

:

Dated: 26.06.2024

Pos.	Description	Item No.	pc.	Pos.	Description	Item No.	pc.
82	Rubber foot	66637082	3				
83	Handle set	66637083	1				
84	Machine fixture	66637084	1				
85	Screw 4,2x22	80201478	4				
86	Screw 5x25	80201530	2				
87	Retaining ring 35x1,5	80201334	1				
88	Washer	6663A088	2				
89	Screw 4,2x16	80201271	2				

List also valid for: 0663C000 Versio 01