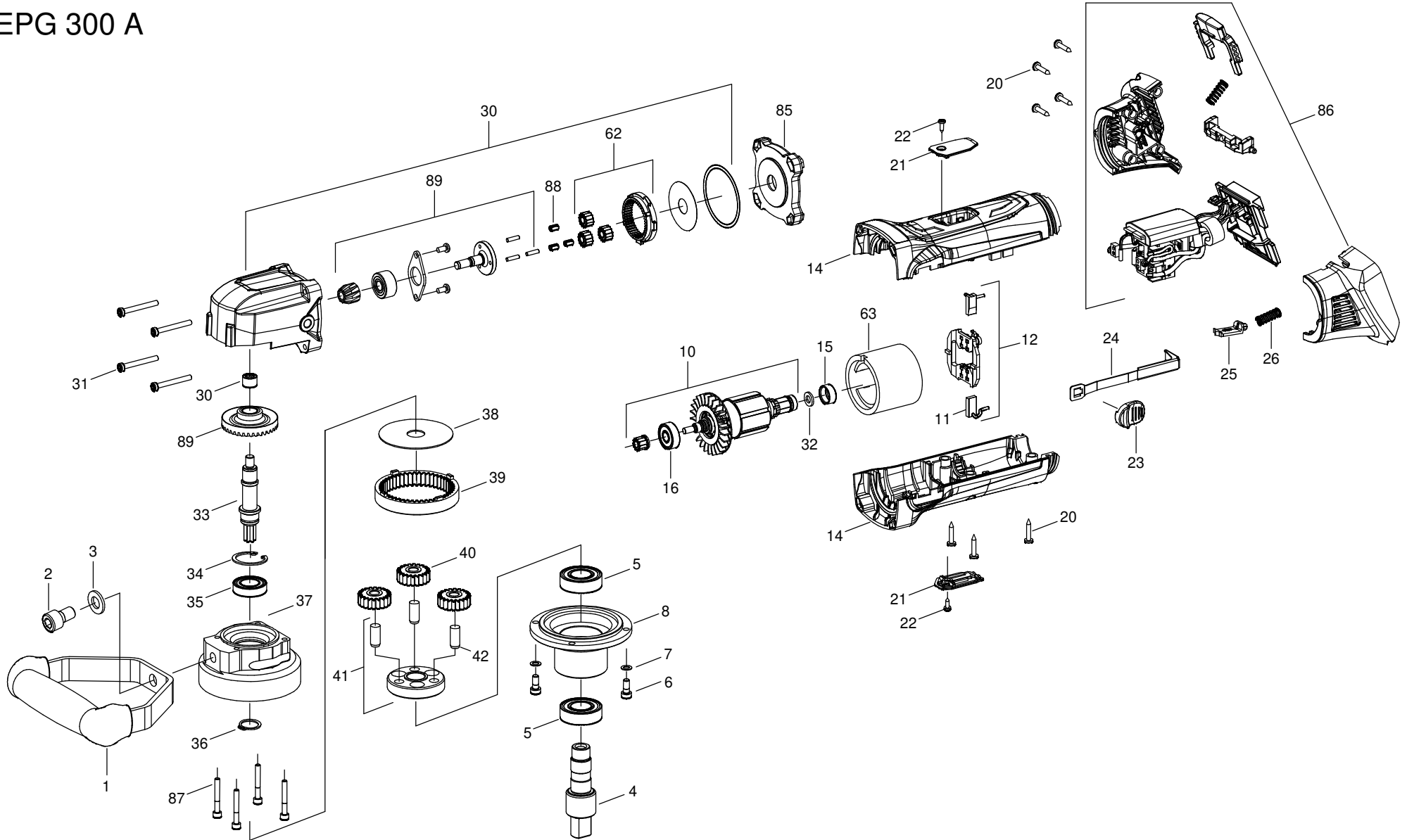




EPG 300 A





065A3000

EPG 300 A - 18V

Version: 01

Dated: 03.07.2023

Pos.	Description	Item No.	pc.
1	Bow handle, compl.	765A3590	1
2	Screw M10x16	80201166	1
3	Washer 10,5	80201380	1
4	Work spindle	765A3420	1
5	Grooved ball bearing 6003 2RS	80410047	2
6	Screw M5x12	80201230	4
7	Lock washer S5	80201620	4
8	Gearbox cover	765A3405	1
10	Rotor, compl. 18V	665A3010	1
11	Carbon brush set	665A3011	1
12	Brush holder, compl.	665A3012	1
14	Motor housing	665A1003	1
15	Bearing cap	665A1004	1
16	Grooved ball bearing 608 2RSL C3	80410026	1
20	Screw 3,5x19	665A1008	7
21	Brush holder cover	80900298	2
22	Screw 2,9x9,5	80201480	2
23	Switch slider	665A1009	1
24	Switch rod	665A1010	1
25	Snap bolt	665A1011	1
26	Compression spring	665A1012	1
30	Gearbox, compl.	665A3030	1
31	Screw 4x35	66701055	4
32	Disc	665A3032	1
33	Pinion shaft	765A3490	1
34	Retaining ring 28x1,2	80201333	1
35	Grooved ball bearing 6902 2RS	80410089	1
36	Retaining ring 15x1	80201322	1
37	Gearbox housing 2	765A3400	1
38	Spacer disc	85000080	1
39	Hollow wheel	765A3480	1
40	Wheel	765A3470	3
41	Spindle wheel, compl.	765A343U	1
42	Parallel pin 8x20	80201645	3
62	Gearbox parts, compl.	665A3062	1
63	Stator, compl.	665A3063	1
85	End shield of gearing	665A3085	1
86	Housing, compl.	665A1007	1
87	Screw 4x30	80201659	4
88	Needle bearing	665A3088	3

Pos.	Description	Item No.	pc.
89	Planet carrier, compl.	665A3089	1

List also valid for: 065A4000 Version: 01