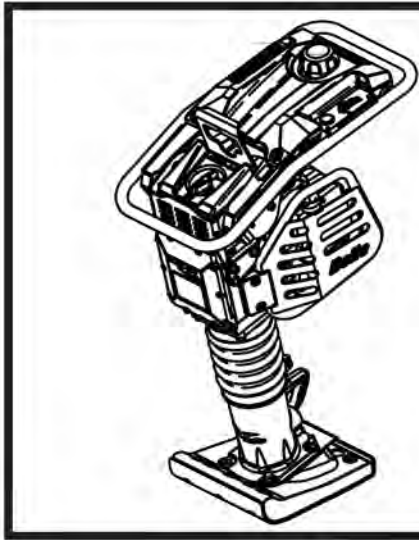


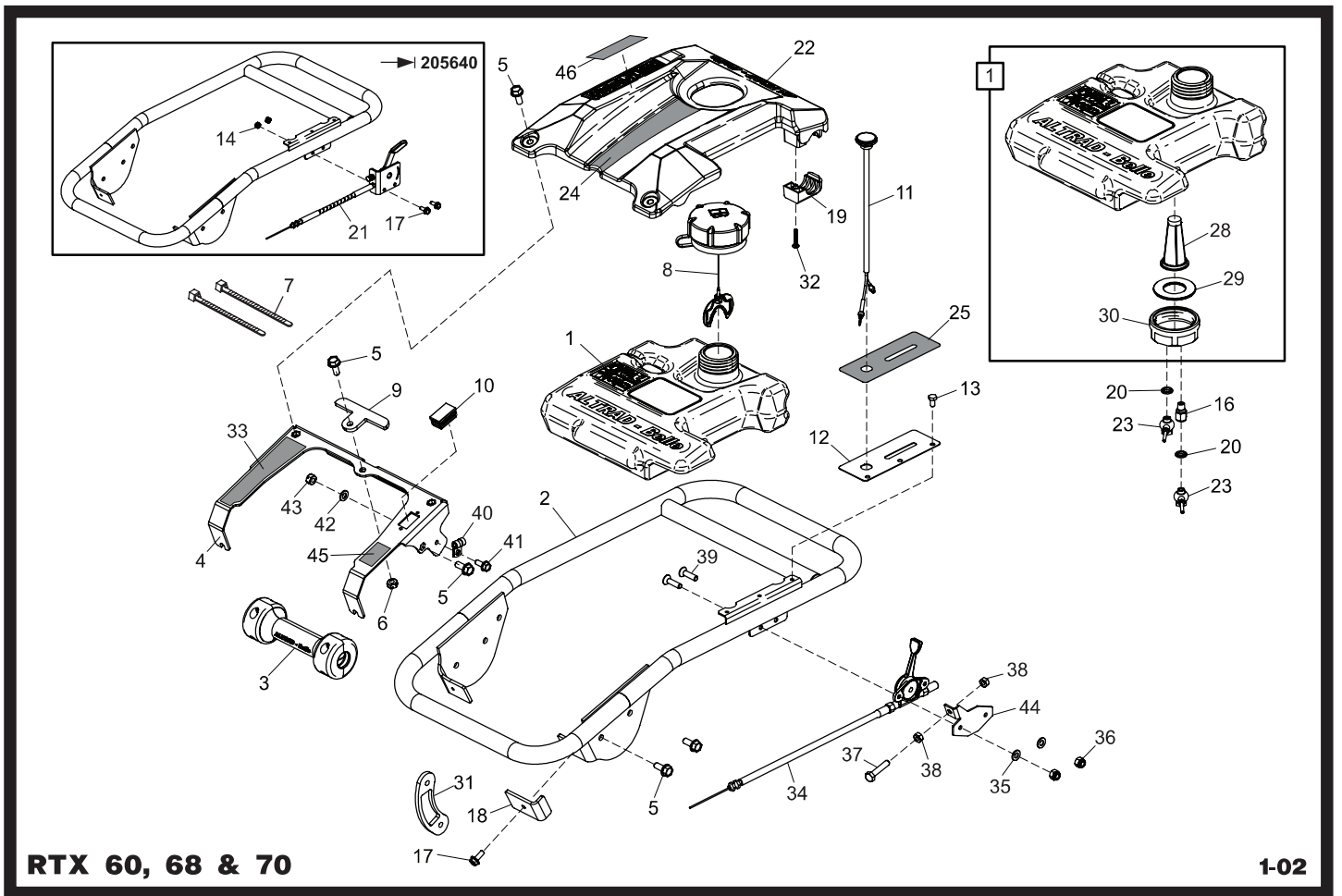


BELLE RTX 68,

875/10001/1
04/24



Ⓞ Spare Parts

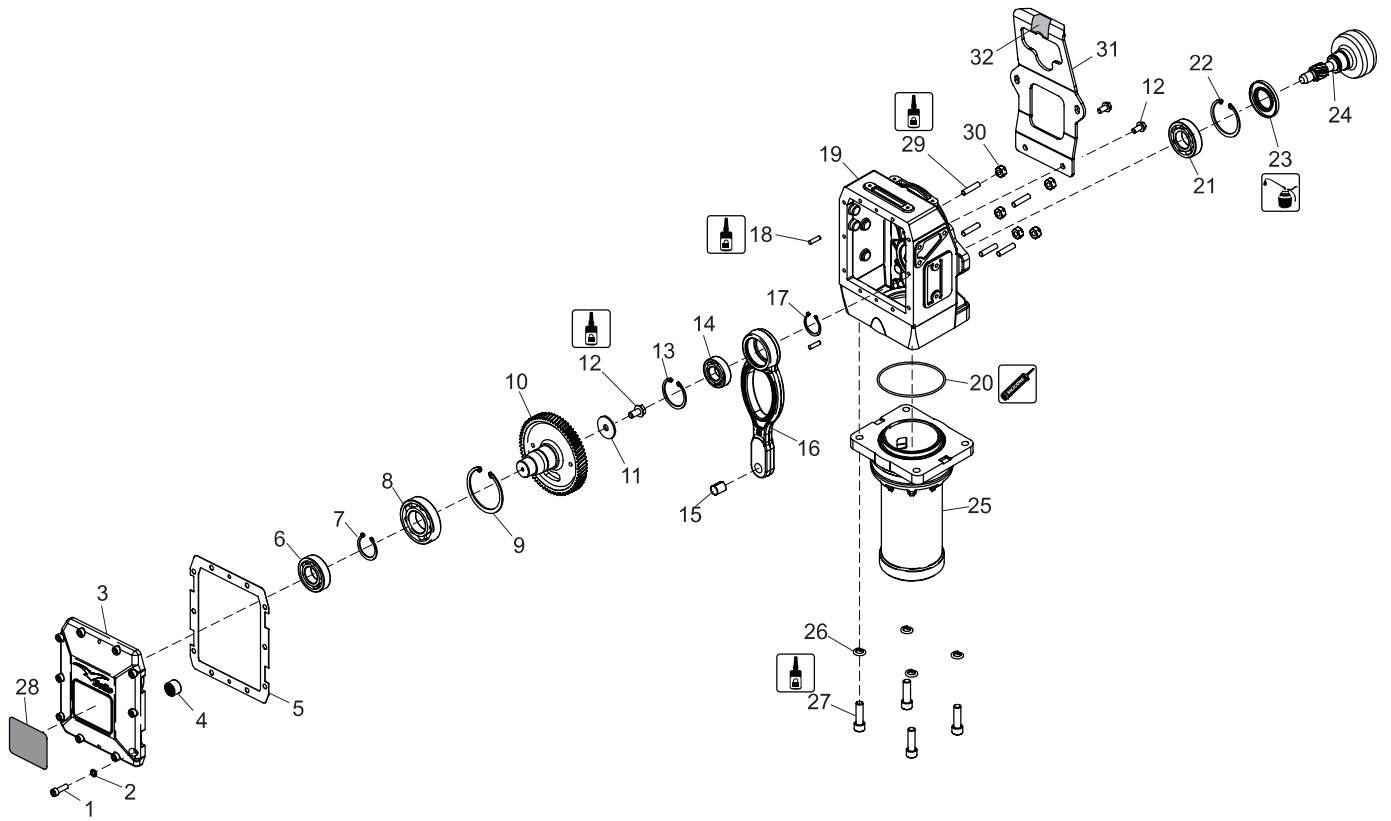


RTX 60, 68 & 70

1-02

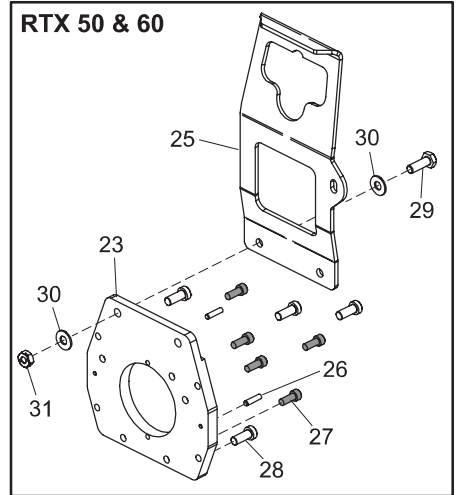
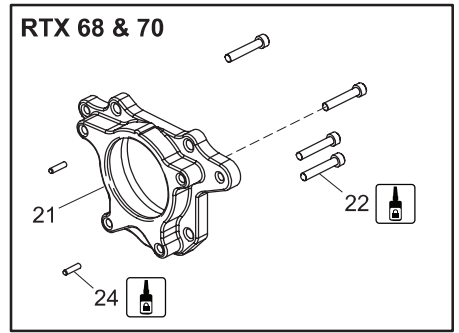
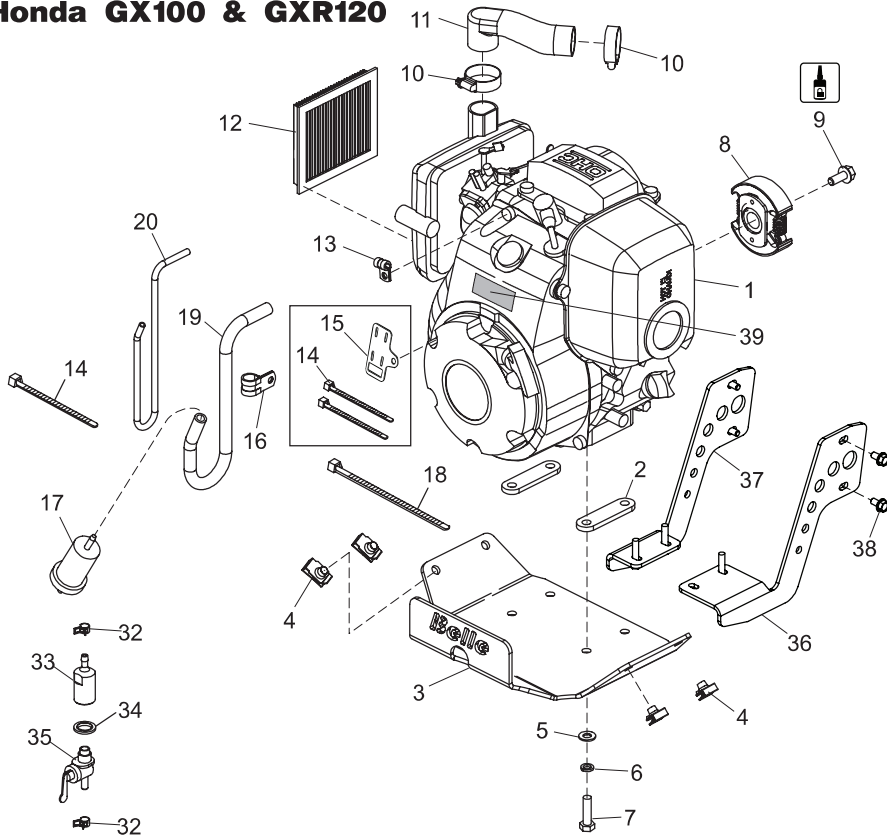
**Handle Assembly, Ensemble Poignée,
Cto. de Manillar, Conj. do Punho**

37	7/6039	Screw	Vis	Tornillo	Parafuse	1
38	8/6001	Nut	Ecrou	Tuerca	Porca	2
39	7/5018	Screw	Vis	Tornillo	Parafuse	2
40	3/7055	P-Clip	Collier-P	Presilla-P	Grampo-P	1
41	7/6059	Screw	Vis	Tornillo	Parafuse	1
42	4/6003	Washer	Rondelle	Arandela	Anilha	1
43	8/6002	Nut	Ecrou	Tuerca	Porca	1
44	21/0246	Bracket	Patte de montage	Escuadra	Suporte	1
45	800/99520	Decal	Autocollant	Rótulo	Decalque	1
46	800/99831	Decal	Autocollant	Rótulo	Decalque	1



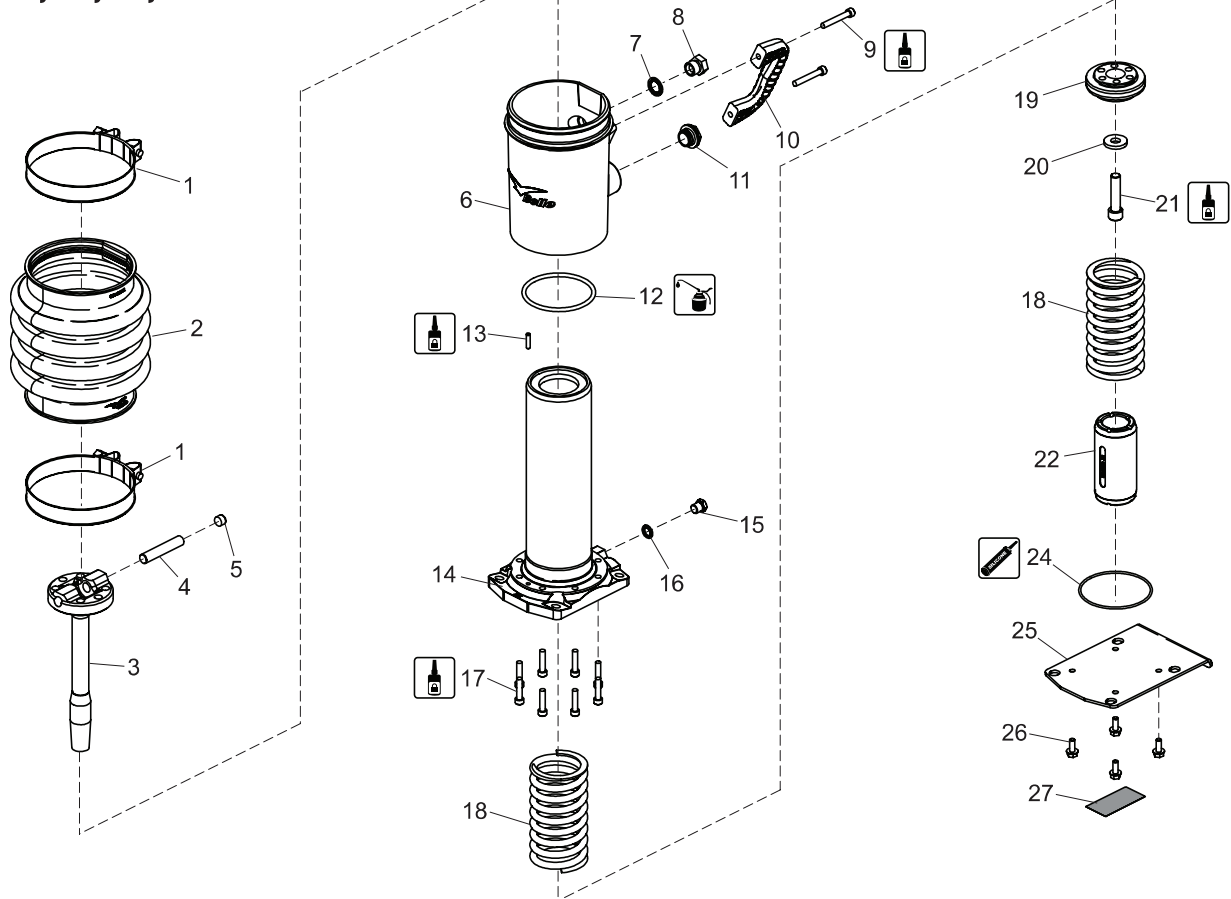
Gearbox Assembly, Ensemble Boîte de Vitesses, Conjunto de Caja de Engranajes, Conjunto de Caixa de Velocidades

1	7/8010	Screw	Vis.	Tornillo	Parafuse	M8 x 25	10
2	4/8003	Washer	Rondelle	Arandela	Anilha	M8	10
3	980/99910	Cover	Couvercle	Cubierta	Tampa		1
4	53/0074	Bearing	Roulement	Cojinete	Rolamento	18 x 24 x 16	1
5	980/99940	Gasket	Joint	Junta	Gaxeta		1
6	53/0075	Bearing	Roulement	Cojinete	Rolamento	6206	1
7	3/9032	Circlip	Circlip	Resorte circular	Grampo circular	Ø40	1
8	53/0076	Bearing	Roulement	Cojinete	Rolamento	6208	1
9	3/9030	Circlip	Circlip	Resorte circular	Grampo circular	Ø80	1
10	980/99942	Shaft	Axe	Eje	Veio		1
11	4/1009	Washer	Rondelle	Arandela	Anilha		1
12	7/10039	Screw	Vis.	Tornillo	Parafuse	M10 x 20	3
13	3/9028	Circlip	Circlip	Resorte circular	Grampo circular	Ø52	1
14	53/0077	Bearing	Roulement	Cojinete	Rolamento	6205	1
15	50/000075	Bush	Douille	Buje	Bucha	16 x 18 x 20	1
16	980/99936	Rod	Tige	Varilla	Biela		1
17	3/9031	Circlip	Circlip	Resorte circular	Grampo circular	Ø35	1
18	3/8004	Dowel	Goujon Prisonnier	Clavija	Espigão	6 x 25	2
19	980/99930	Gearbox Casing	Boîte de vitesses	Caja de engranajes	Caixa de engrenagens		1
20	5/0073	O-Ring	Jeu Joint torique	Juego Junta tórica	Jogo Anel Vedante	119.5 x 3	1
21	53/0078	Bearing	Roulement	Cojinete	Rolamento	6207	1
22	3/9029	Circlip	Circlip	Resorte circular	Grampo circular	Ø72	1
23	5/0071	Seal	Joint d'étanchéité	Obturador	Vedação	40 x 72 x 7	1
24	980/00500	Gear	Pignon	Engranaje	Engrenagem	RTX 66, 68, 70 & 74	1
24	980/04200	Gear	Pignon	Engranaje	Engrenagem	RTX 80D	1
25	980/99903	Guide Cylinder	Vérin de guidage	Cilindro de guía	Cilindro de Direção		1
26	4/1202	Washer	Rondelle	Arandela	Anilha	M12	4
27	7/12010	Screw	Vis.	Tornillo	Parafuse	M12 x 40	4
28	800/99791	Decal	Autocollant	Rótulo	Decalque	RTX 66	1
28	800/99792	Decal	Autocollant	Rótulo	Decalque	RTX 68	1
28	800/99385	Decal	Autocollant	Rótulo	Decalque	RTX 68R	1
28	800/99448	Decal	Autocollant	Rótulo	Decalque	RTX 70	1
28	800/99386	Decal	Autocollant	Rótulo	Decalque	RTX 70R	1
28	800/99793	Decal	Autocollant	Rótulo	Decalque	RTX 74	1
28	800/99522	Decal	Autocollant	Rótulo	Decalque	RTX 80D	1
29	9/10032	Bolt	Boulon	Perno	Perno	M10 x 25	5
30	8/10017	Nut	Ecrou	Tuerca	Porca	M10	5
31	980/99931	Lifting Frame	Cadre de levage	Bastidor de izaje	Estrutura de Elevação	RTX 66 & 74	1
31	980/99966	Lifting Frame	Cadre de levage	Bastidor de izaje	Estrutura de Elevação	RTX 68 & 70	1
31	980/99980	Lifting Frame	Cadre de levage	Bastidor de izaje	Estrutura de Elevação	RTX 80D	1
32	800/99630	Decal	Autocollant	Rótulo	Decalque		1



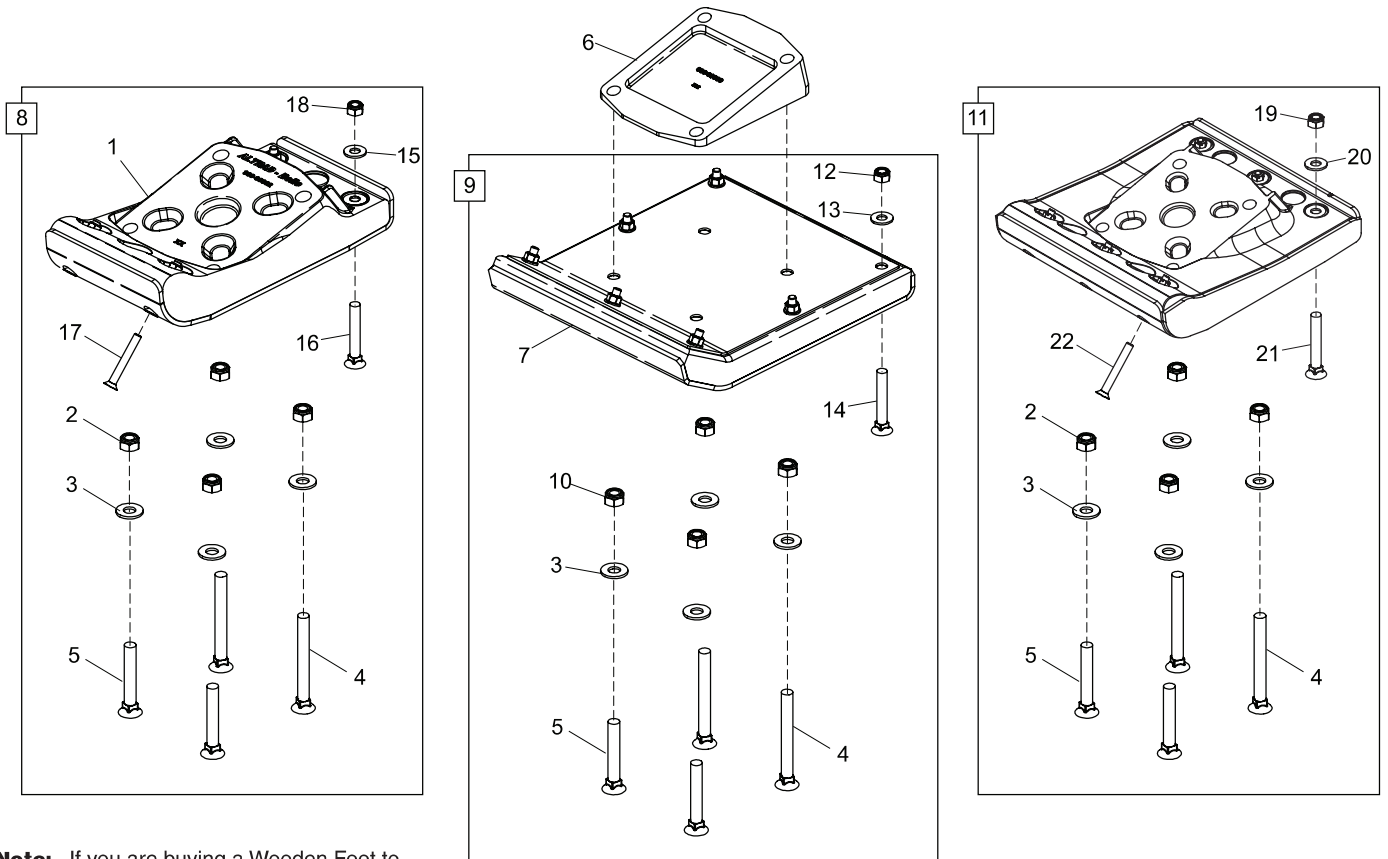
**Engine Assembly, Ensemble Moteur,
Conjunto del Motor, Conjunto do Motor**

1	20/0103	Engine	Moteur	Motor	Motor	Honda GX100	1
1	20/0142	Engine	Moteur	Motor	Motor	Honda GXR120	1
2	980/99944	Spacer	Entretoise	Espaciador	Espaciador		2
3	980/99945	Engine Deck	Plate-Forme De Moteur	Cubierta Motor	Plataforma motor	RTX 50 (Honda GX100)	1
3	980/99927	Engine Deck	Plate-Forme De Moteur	Cubierta Motor	Plataforma motor	RTX 60 (Honda GX100)	1
3	980/99968	Engine Deck	Plate-Forme De Moteur	Cubierta Motor	Plataforma motor	RTX 68 & 70 (Honda GX100)	1
3	980/99893	Engine Deck	Plate-Forme De Moteur	Cubierta Motor	Plataforma motor	RTX 50 (Honda GXR120)	1
3	980/99892	Engine Deck	Plate-Forme De Moteur	Cubierta Motor	Plataforma motor	RTX 60 (Honda GXR120)	1
3	980/99894	Engine Deck	Plate-Forme De Moteur	Cubierta Motor	Plataforma motor	RTX 68 & 70 (Honda GXR120)	1
4	8/8007	Lug	Oreille	Asa	Orelha		4
5	4/8006	Washer	Rondelle	Arandela	Anilha	M8	4
6	4/8003	Washer	Rondelle	Arandela	Anilha	M8	4
7	7/8007	Screw	Vis	Tornillo	Parafuse	M8 x 35	4
8	21/0307	Clutch	Embrayage	Embrague	Embraiagem		1
9	7/8037	Screw	Vis	Tornillo	Parafuse	M8 x 20	1
10	3/7018	Clip	Collier	Presilla	Grampo		2
11	21/0300	Pipe	Tubo	Pistão	Zuiger		1
12	21/0282	Air Filter	Filtre à air	Filtro de aire	Filtro de Ar		1
13	3/7055	P-Clip	Collier-P	Presilla-P	Grampo-P		1
14	3/6005	Cable Tie	Serre-câble	Unión cable	Tirante de Cabo		1
15	980/99969	Bracket	Patte de montage	Escuadra	Suporte		1
16	3/7045	P-Clip	Collier-P	Presilla-P	Grampo-P		1
17	21.0.327	Filter	Filtre	Filtro	Filtro		1
18	3/6009	Cable Tie	Serre-câble	Unión cable	Tirante de Cabo		1
19	25/00019	Hose	Tuyau	Manguera	Tubagem		1
19	25/00008	Hose	Tuyau	Manguera	Tubagem	North America	1
20	21/0319	Hose	Tuyau	Manguera	Tubagem		1
21	158.0.101	Flange	Bride	Brida	Flange	RTX 68 & 70	1
22	07.0.034	Screw	Vis	Tornillo	Parafuse	RTX 68 & 70	4
23	980/99924	Flange	Bride	Brida	Flange	RTX 50 & 60	1
24	980/99924	Dowel	Goujon Prisonnier	Clavija	Espigão	RTX 68 & 70	2
25	980/99922	Lifting Frame	Cadre de levage	Bastidor de izaje	Estrutura de Elevação	RTX 50 & 60	1
26	3/8004	Dowel	Goujon Prisonnier	Clavija	Espigão	RTX 50 & 60	2
27	7/8039	Screw	Vis	Tornillo	Parafuse	RTX 50 & 60	5
28	7/10053	Screw	Vis	Tornillo	Parafuse	RTX 50 & 60	4
29	7/10010	Screw	Vis	Tornillo	Parafuse	RTX 50 & 60	2
30	4/1004	Washer	Rondelle	Arandela	Anilha	RTX 50 & 60	4
31	8/10001	Nut	Ecrou	Tuerca	Porca	RTX 50 & 60	2
32	3/7058	Clip	Collier	Presilla	Grampo	8mm	5
33	980/99970	Boss	Bossage	Resalte	Cubo		1
34	5/0011	Seal	Joint d'étanchéité	Obturador	Vedação	1/4"	1
35	6/0229	Fuel Tap	Robinet de carburant	Grifo de Combustible	Toque de Combustível		1
36	980/99986	Bracket	Patte de montage	Escuadra	Suporte		1
37	980/99985	Bracket	Patte de montage	Escuadra	Suporte		1
38	7/8053	Screw	Vis	Tornillo	Parafuse	M8 x 16	4
39	800/99625	Decal	Autocollant	Rótulo	Decalque		1



**Leg Assembly, Ensemble de Jambes,
Conjunto de Piernas, Conjunto de Pernas**

1	3/7052	Clamp	Serrage	Mordaza	Grampo	2
2	980/99911	Bellows	Soufflet	Fuelles	Fole	1
3	980/00202	Piston Rod	Piston	Pistón	Pistão	1
4	980/00203	Dowel	Goujon Prisonnier	Clavija	Espigão	1
5	980/00204	Cap	Capuchon	Casquete	Tampa	1
6	980/99901	Lower Support Casting	Pièce Moulée Support Inférieur			1
7	5/0002	Seal	Joint d'étanchéité	Obturator	Vedação	1/2" 1
8	10-601-0800	Plug	Bougie	Tapón	Bujão	1/2" 1
9	7/8029	Screw	Vis	Tornillo	Parafuse	M8 x 55 2
10	980/99902	Handle	Guidon	Manillar	Punho	1
11	40/00005	Gauge	Jauge	Calibrar	Ajuizar	1
12	5/0076	O-Ring	Jeu Joint torique	Juego Junta tórica	Jogo Anel Vedante	99.3 x 5.7 1
13	3/8004	Dowel	Goujon Prisonnier	Clavija	Espigão	6 x 25 1
14	980/00100	Tube	Tube	Tubo	Tubo	1
15	MS12	Bung	Obturateur	Tapón	Tampão	1
16	5/0011	Seal	Joint d'étanchéité	Obturator	Vedação	1/4" 1
17	7/8032	Screw	Vis	Tornillo	Parafuse	M8 x 35 8
18	980/99977	Re-Work Kit	Kit de reprise	Kit de retrabajo	Kit retrabalho	204274 (RTX 66 & 74) 2
18	2/0068	Spring	Ressort	Resorte	Mola	204275 (RTX 66 & 74) 2
18	2/0068	Spring	Ressort	Resorte	Mola	RTX 68, 80D 2
18	2/0080	Spring	Ressort	Resorte	Mola	RTX 70 2
19	980/00201	Boss	Bossage	Resalte	Cubo	1
20	4/1406	Washer	Rondelle	Arandela	Anilha	14.5 x 35 x 5 1
21	7/14015	Screw	Vis	Tornillo	Parafuse	14 x 2 x 40 1
22	980/99974	Stop Moulding				RTX 66, 68, 70 & 74 1
22	980/99979	Stop Moulding				RTX 80D 1
24	5/0075	O-Ring	Jeu Joint torique	Juego Junta tórica	Jogo Anel Vedante	104.5 x 3 1
25	980/99907	Plate	Plaque	Placa	Placa	1
26	7/8037	Screw	Vis	Tornillo	Parafuse	M8 x 20 4
27	800/99619	Decal	Autocollant	Rótulo	Decalque	Caution - Springs 1

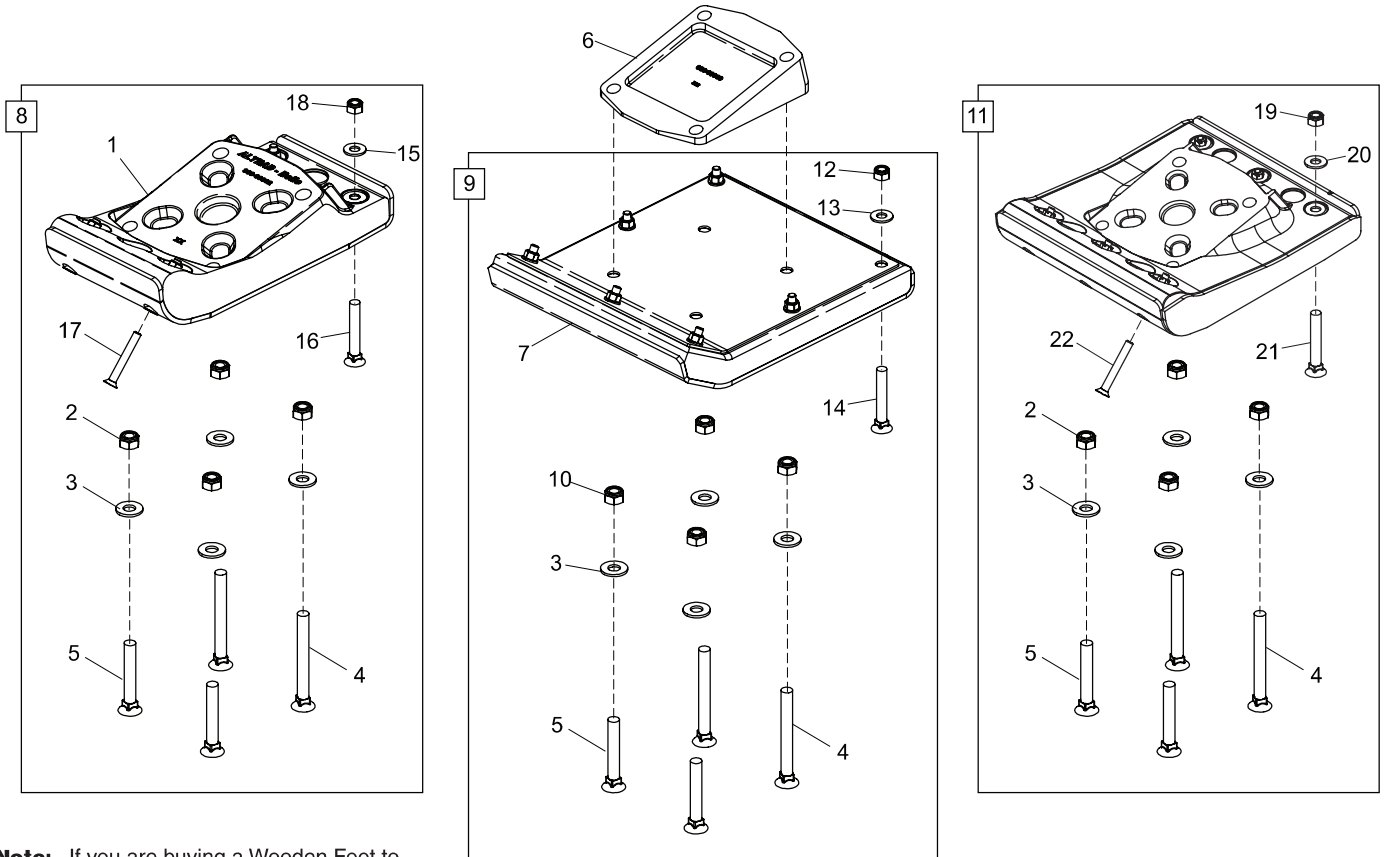


Note:- If you are buying a Wooden Foot to replace a Plastic Foot you will also need to buy a Wedge.

Foot Assembly, Ensemble Pied, Conjunto del Pié, Conjunto de Pé

#1	980/90300	Plastic Foot	Pied en Plastique	Pié de plástico	Pé Plástico	165mm - 14°	1
#1	980/90200	Plastic Foot	Pied en Plastique	Pié de plástico	Pé Plástico	230mm - 14°	1
#1	980/90100	Plastic Foot	Pied en Plastique	Pié de plástico	Pé Plástico	280mm - 14°	1
##1	980/91200	Plastic Foot	Pied en Plastique	Pié de plástico	Pé Plástico	165mm - 12°	1
##1	980/91100	Plastic Foot	Pied en Plastique	Pié de plástico	Pé Plástico	230mm - 12°	1
##1	980/91000	Plastic Foot	Pied en Plastique	Pié de plástico	Pé Plástico	280mm - 12°	1
2	8/12006	Nut	Ecrou	Tuerca	Porca	M12	4
3	4/1201	Washer	Rondelle	Arandela	Anilha	M12	4
4	9/12040	Bolt	Boulon	Perno	Perno		2
4	9/12040	Bolt	Boulon	Perno	Perno	→ 210546 (RTX 70)	2
4	9/12051	Bolt	Boulon	Perno	Perno	→ 210547 (RTX 70)	2
5	9/12041	Bolt	Boulon	Perno	Perno		2
5	9/12041	Bolt	Boulon	Perno	Perno	→ 210546 (RTX 70)	2
5	9/12050	Bolt	Boulon	Perno	Perno	→ 210547 (RTX 70)	2
6	980/99939	Wedge	Cale	Cuña	Calço		1
7	980/90700	Wooden Foot	Pied en Bois	De madera del pie	Pé de madeira	165mm	1
7	980/90600	Wooden Foot	Pied en Bois	De madera del pie	Pé de madeira	230mm	1
7	980/90500	Wooden Foot	Pied en Bois	De madera del pie	Pé de madeira	280mm	1
7	980/60500	Wooden Foot	Pied en Bois	De madera del pie	Pé de madeira	165mm - RTX 70	1
7	980/60600	Wooden Foot	Pied en Bois	De madera del pie	Pé de madeira	230mm - RTX 70	1
7	980/60700	Wooden Foot	Pied en Bois	De madera del pie	Pé de madeira	280mm - RTX 70	1
#8	980/03300	Plastic Foot	Pied en Plastique	Pié de plástico	Pé Plástico	165mm - 14°	1
#8	980/02400	Plastic Foot	Pied en Plastique	Pié de plástico	Pé Plástico	230mm - 14°	1
#8	980/02500	Plastic Foot	Pied en Plastique	Pié de plástico	Pé Plástico	280mm - 14°	1
##8	980/03800	Plastic Foot	Pied en Plastique	Pié de plástico	Pé Plástico	165mm - 12°	1
##8	980/03700	Plastic Foot	Pied en Plastique	Pié de plástico	Pé Plástico	230mm - 12°	1
##8	980/03600	Plastic Foot	Pied en Plastique	Pié de plástico	Pé Plástico	280mm - 12°	1
9	980/02600	Wooden Foot	Pied en Bois	De madera del pie	Pé de madeira	165mm	1
9	980/02700	Wooden Foot	Pied en Bois	De madera del pie	Pé de madeira	230mm	1
9	980/02800	Wooden Foot	Pied en Bois	De madera del pie	Pé de madeira	280mm	1
9	980/60400	Wooden Foot	Pied en Bois	De madera del pie	Pé de madeira	165mm - RTX 70	1
9	980/60300	Wooden Foot	Pied en Bois	De madera del pie	Pé de madeira	230mm - RTX 70	1
9	980/60200	Wooden Foot	Pied en Bois	De madera del pie	Pé de madeira	280mm - RTX 70	1
10	8/12001	Nut	Ecrou	Tuerca	Porca	M12	4
11	980/70900	Heavy-Duty Foot	Lourds Pied	Pie de Servicio Pesado	Pesado pé Direito	175mm - 14°	1
11	980/70700	Heavy-Duty Foot	Lourds Pied	Pie de Servicio Pesado	Pesado pé Direito	240mm - 14°	1
11	980/80300	Heavy-Duty Foot	Lourds Pied	Pie de Servicio Pesado	Pesado pé Direito	290mm - 14°	1
11	980/70500	Heavy-Duty Foot	Lourds Pied	Pie de Servicio Pesado	Pesado pé Direito	175mm - 12°	1
11	980/70300	Heavy-Duty Foot	Lourds Pied	Pie de Servicio Pesado	Pesado pé Direito	240mm - 12°	1
11	980/70100	Heavy-Duty Foot	Lourds Pied	Pie de Servicio Pesado	Pesado pé Direito	290mm - 12°	1

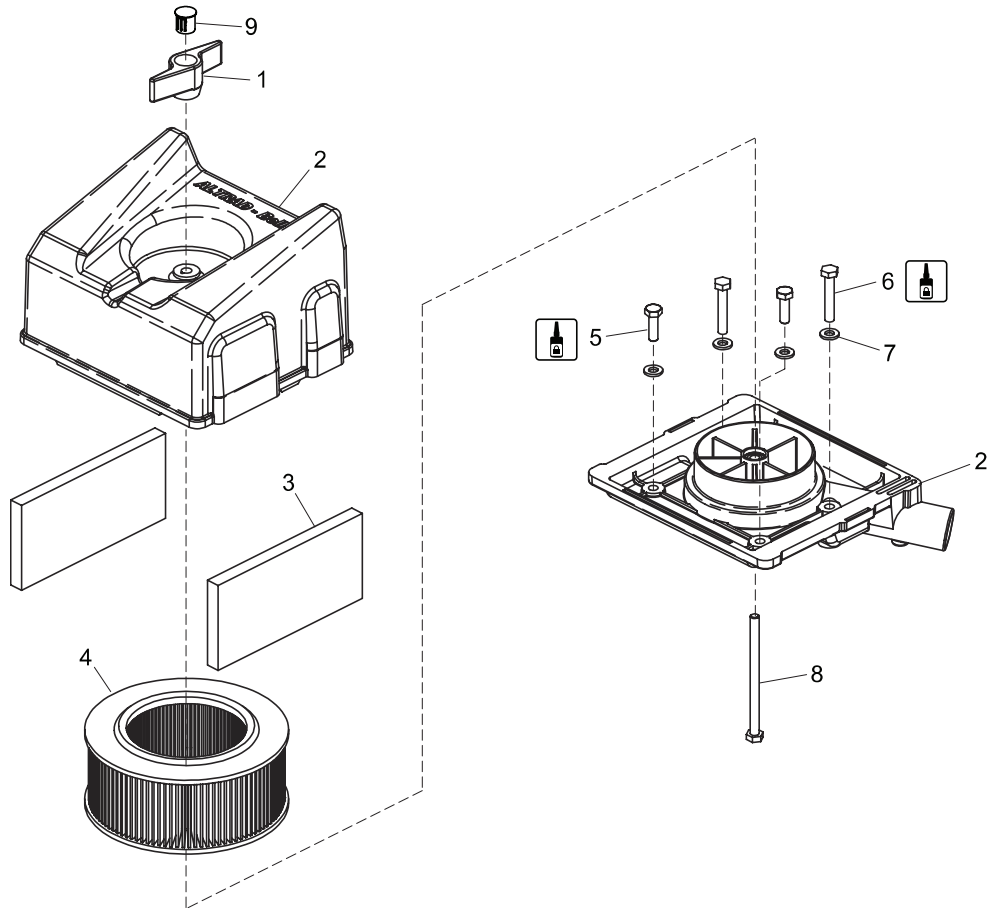
- Not Applicable to RTX 70 / Non applicable à RTX 70 / No aplicable a RTX 70 / Não Aplicável para RTX 70
 ## - RTX 68 Only / RTX 68 Seulement / RTX 68 Sólo / RTX 68 Somente



Note:- If you are buying a Wooden Foot to replace a Plastic Foot you will also need to buy a Wedge.

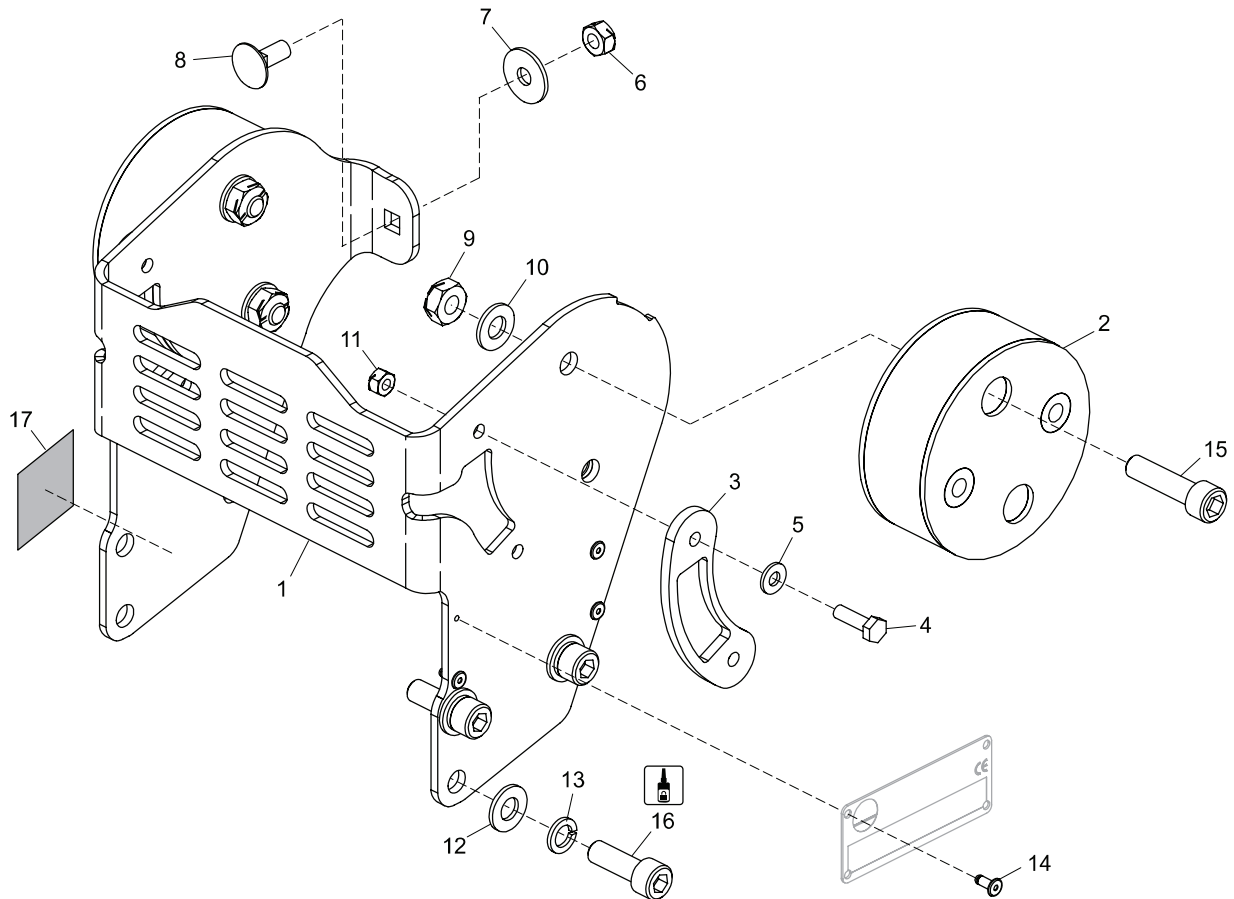
Foot Assembly, Ensemble Pied, Conjunto del Pié, Conjunto de Pé

12	8/8002	Nut	Ecrou	Tuerca	Porca	7
12	8/10001	Nut	Ecrou	Tuerca	Porca	RTX 70 7
13	4/8006	Washer	Rondelle	Arandela	Anilha	7
13	4/1005	Washer	Rondelle	Arandela	Anilha	RTX 70 7
14	7/8087	Bolt	Boulon	Perno	Perno	7
14	7/8078	Bolt	Boulon	Perno	Perno	RTX 70 7
15	4/8004	Washer	Rondelle	Arandela	Anilha	4
16	7/8091	Bolt	Boulon	Perno	Perno	M8 x 45 2
17	7/8085	Bolt	Boulon	Perno	Perno	M8 x 60 2
18	8/8002	Nut	Ecrou	Tuerca	Porca	4
19	8/12001	Nut	Ecrou	Tuerca	Porca	M12 4
20	4/1201	Washer	Rondelle	Arandela	Anilha	M12 4
21	9/12041	Bolt	Boulon	Perno	Perno	M12 x 80 2
22	9/12040	Bolt	Boulon	Perno	Perno	M12 x 110 2



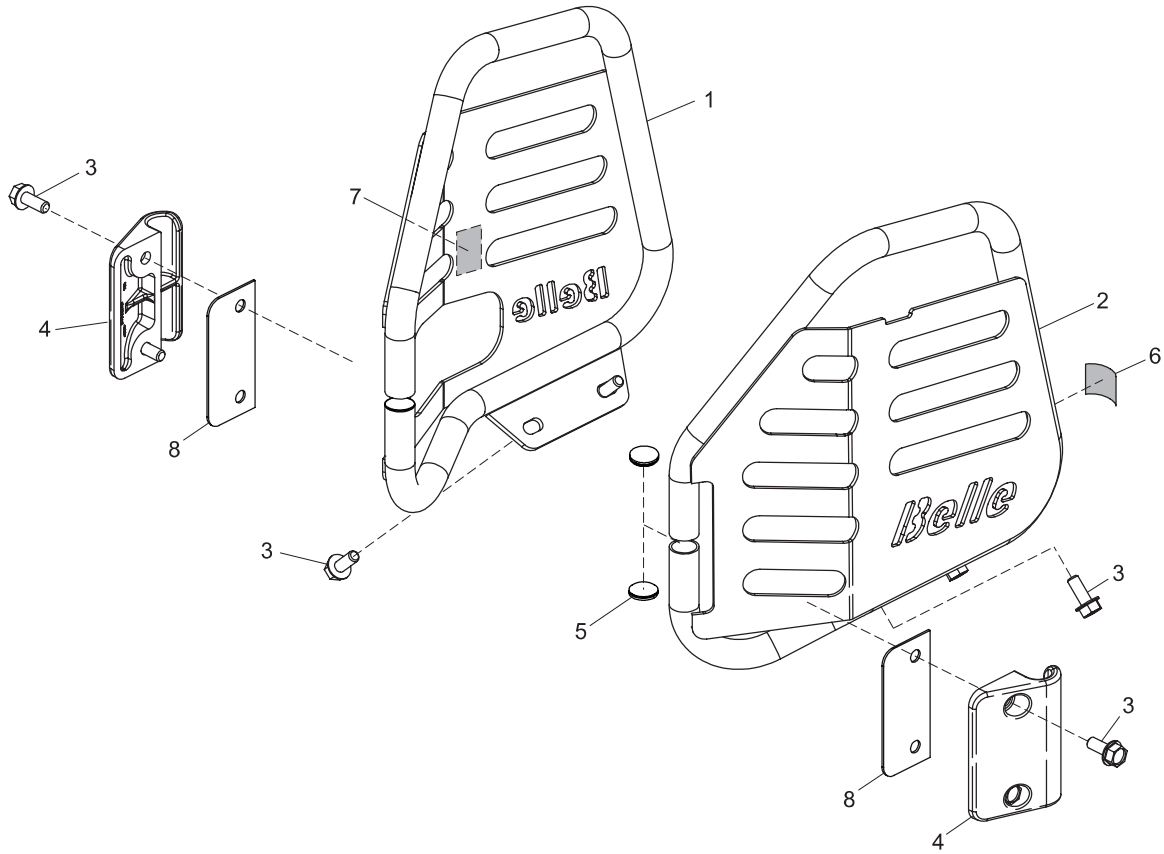
Air Filter Assembly, Ensemble Filtre à Air, Conjunto de Filtro de Aire, Montagem do Filtro de Ar

1	8/6018	Nut	Ecrou	Tuerca	Porca	M6	1
2	980/02200	Filter Housing	Carter de filtre	Caja de filtro	Cárter do Filtro		1
3	21/0302	Filter Element	Elément filtre	Elemento filtro	Elemento filtrante		2
4	21/0303	Filter Element	Elément filtre	Elemento filtro	Elemento filtrante		1
5	7/6037	Screw	Vis	Tornillo	Parafuse	M6	2
6	7/6003	Screw	Vis	Tornillo	Parafuse	M6 x 20	2
7	4/6007	Washer	Rondelle	Arandela	Anilha	M6	4
8	9/6026	Bolt	Boulon	Perno	Perno	M6 x 90	1
9	3/4079	Plug	Bougie	Tapón	Bujão		1



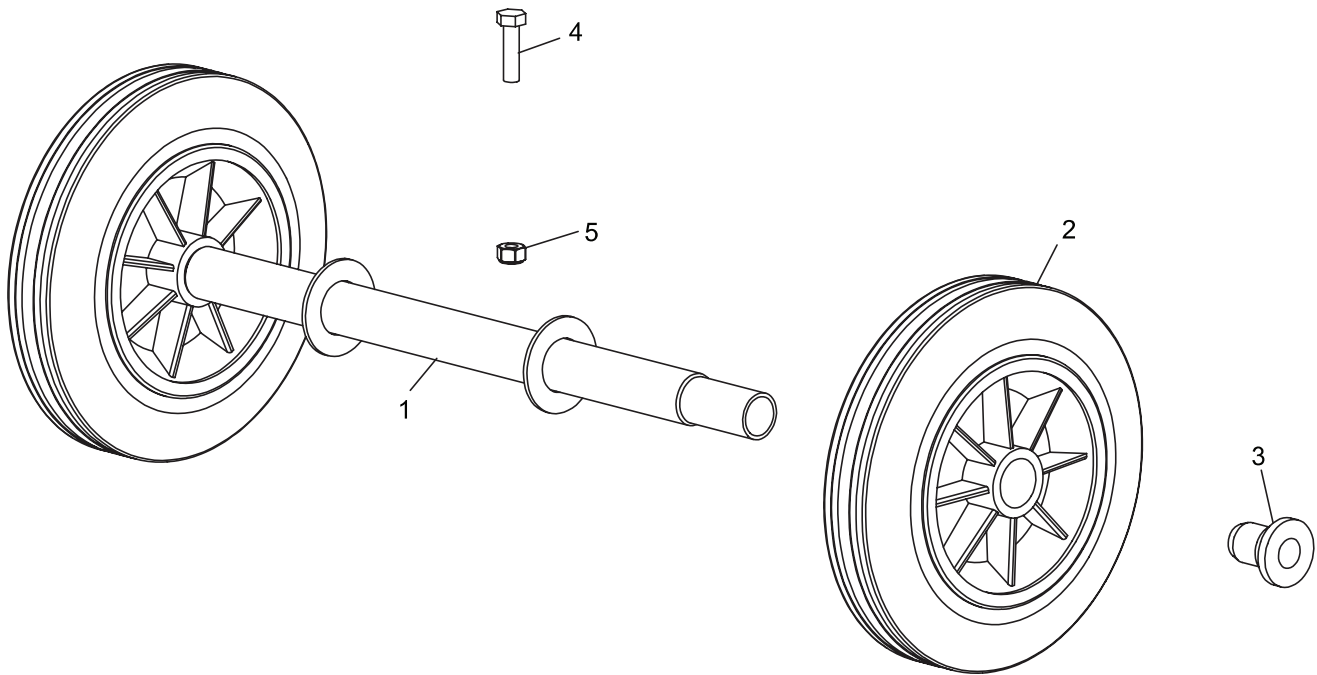
Anti-Vibration Mount Assembly, Montage Anti-Vibrations, Montaje Antivibración, Conjunto de Montagem Anti-Vibração

1	980/99921	Bracket	Patte de montage	Escuadra	Suporte	RTX 50, 60, 68 & 70	1
1	980/99956	Bracket	Patte de montage	Escuadra	Suporte	RTX 66 & 74	1
1	980/99973	Bracket	Patte de montage	Escuadra	Suporte	RTX 80D	1
2	21/0299	Anti-Vibration Mount	Tampon antivibratoire	Montura antivibratoria	Bloco Anti-vibração	RTX 50, 60, 68, 70 & 80D	2
2	21/0332	Anti-Vibration Mount	Tampon antivibratoire	Montura antivibratoria	Bloco Anti-vibração	→ 204274 (RTX 66 & 74)	2
2	21/0299	Anti-Vibration Mount	Tampon antivibratoire	Montura antivibratoria	Bloco Anti-vibração	→ 204275 (RTX 66 & 74)	2
3	980/99946	Plate	Plaque	Placa	Placa	RTX 50, 60, 68 & 70	2
3	980/99948	Plate	Plaque	Placa	Placa	RTX 66 & 74	2
4	7/6059	Screw	Vis.	Tornillo	Parafuse	RTX 50, 60, 68 & 70	4
4	9/6008	Bolt	Boulon	Perno	Perno	RTX 66 & 74	4
5	4/6007	Washer	Rondelle	Arandela	Anilha	RTX 66 & 74	4
6	8/8002	Nut	Ecrou	Tuerca	Porca	RTX 50, 60, 66, 68, 70 & 74	1
6	8/8002	Nut	Ecrou	Tuerca	Porca	RTX 80D	2
7	4/8004	Washer	Rondelle	Arandela	Anilha	RTX 50, 60, 66, 68, 70 & 74	1
7	4/8004	Washer	Rondelle	Arandela	Anilha	RTX 80D	2
8	7/8086	Screw	Vis.	Tornillo	Parafuse	RTX 50, 60, 66, 68, 70 & 74	1
8	7/8086	Screw	Vis.	Tornillo	Parafuse	RTX 80D	2
9	8/10001	Nut	Ecrou	Tuerca	Porca	M10	4
10	4/1005	Washer	Rondelle	Arandela	Anilha	M10	4
11	8/6002	Nut	Ecrou	Tuerca	Porca	M6	4
12	4/1005	Washer	Rondelle	Arandela	Anilha	M10	6
13	4/1003	Washer	Rondelle	Arandela	Anilha	M10	6
14	3/0082	Rivet	Rivet	Roblon	Rebite		4
15	7/10012	Screw	Vis.	Tornillo	Parafuse	M10 x 40	4
16	7/10016	Screw	Vis.	Tornillo	Parafuse	M10 x 30	4
17	01154	Decal	Autocollant	Rótulo	Decalque	108dB(A)	1



Side Guard, Carène Latéral, Defensa Lateral, Guarda Lateral

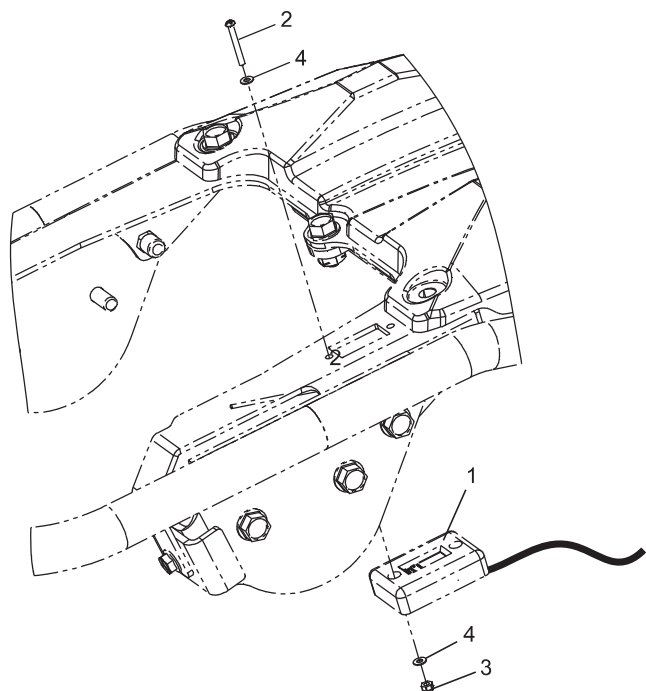
1	980/00900S.....	Side Guard (Orange)	Carène Latéral (Orange)	.	Defensa Lateral (Naranja)	Guarda Lateral (Laranja)	1
1	980/00900G.....	Side Guard (Green)	Carène Latéral (Vert)	Defensa Lateral (Verde)	Guarda Lateral (Verde)	1
1	980/00900R.....	Side Guard (Red)	Carène Latéral (Rouge)	Defensa Lateral (Roja)	Guarda Lateral (Vermelho)	1
1	980/00900Y.....	Side Guard (Yellow)	Carène Latéral (Jaune)	Defensa Lateral (Amarillo)	Guarda Lateral (Amarelo)	1
2	980/00800S.....	Side Guard (Orange)	Carène Latéral (Orange)	.	Defensa Lateral (Naranja)	Guarda Lateral (Laranja)	1
2	980/00800G.....	Side Guard (Green)	Carène Latéral (Vert)	Defensa Lateral (Verde)	Guarda Lateral (Verde)	1
2	980/00800R.....	Side Guard (Red)	Carène Latéral (Rouge)	Defensa Lateral (Roja)	Guarda Lateral (Vermelho)	1
2	980/00800Y.....	Side Guard (Yellow)	Carène Latéral (Jaune)	Defensa Lateral (Amarillo)	Guarda Lateral (Amarelo)	1
3	7/8037.....	Screw	Vis	Tornillo	Parafuse	M8 x 20
4	980/99929.....	Hinge	Charnière	Bisagra	Dobradiça	2
5	3/4044.....	Grommet	Passe-fil	Ojal	Anel Isolante	16mm
6	800/99634.....	Decal	Autocollant	Rótulo	Decalque	1
7	800/99519.....	Decal	Autocollant	Rótulo	Decalque	1
8	980/99995.....	Plate	Plaque	Placa	Placa	2



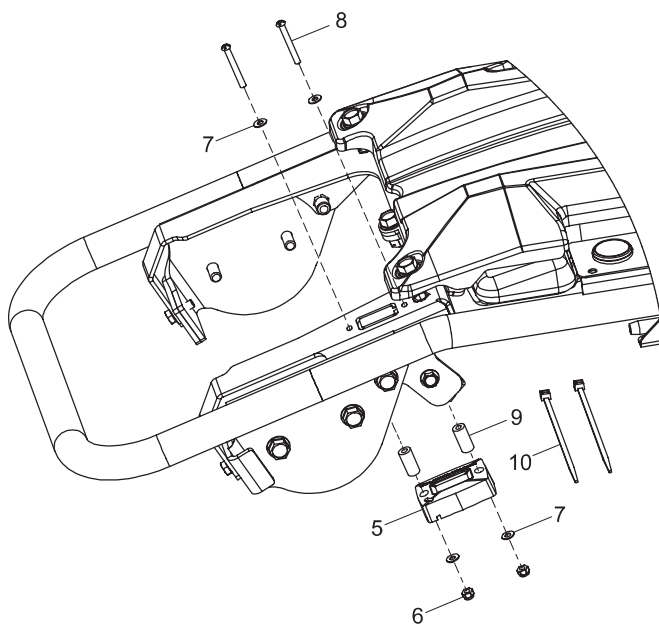
**Transport Attachment, Fixation de Transporteur,
Conexión para Transportador, Acessorio do Transportador**

1	980/01200.....	Axle	Essieu	Eje	Eixo	1
2	60/0285.....	Wheel	Roue	Rueda	Roda	2
3	900/11400.....	Wheel Retainer	Molette de retenue.....	Retén - rueda	Retentor - Roda	2
4	7/8009.....	Screw	Vis.....	Tornillo.....	Parafuse	M8 x 302
5	8/8008.....	Nut.....	Ecrou	Tuerca	Porca	M82

→ 210163

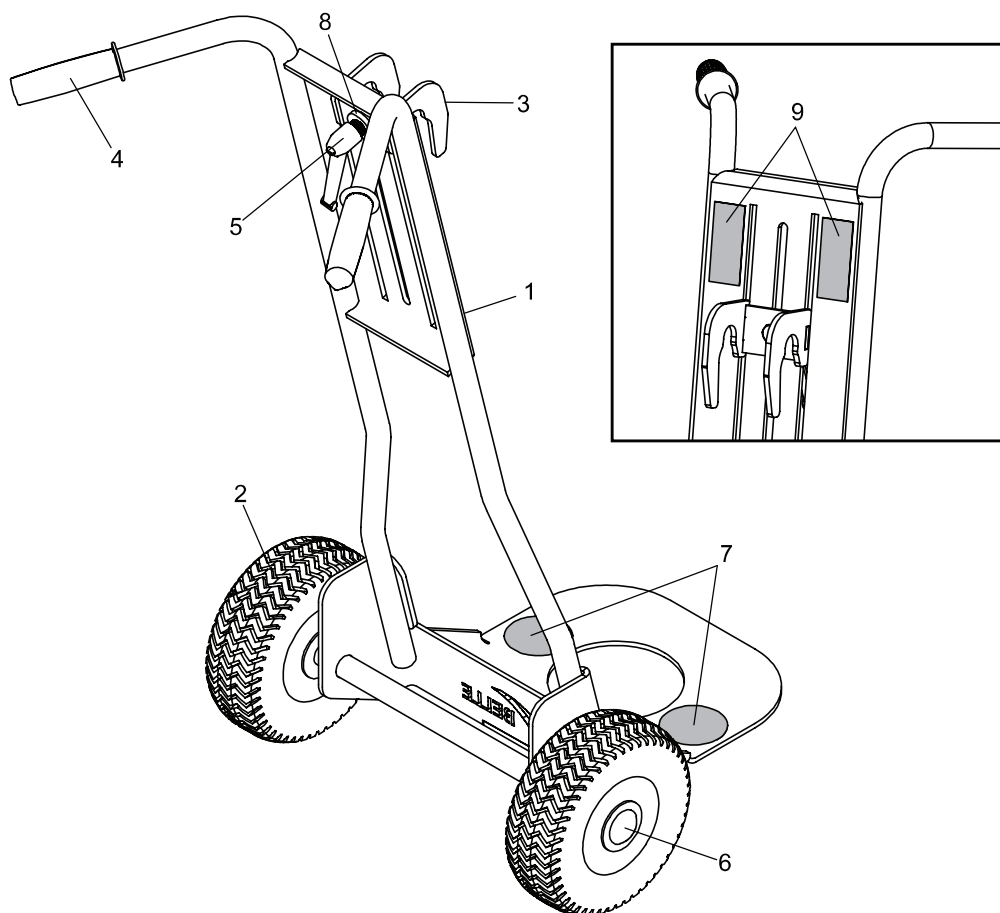


→ 210164



**Hourmeter, Compteur Horaire,
Cuenta Horas, Horímetro**

1	980/05800.....	Hourmeter Kit.....	Kit Compteur Horaire.....	Juego Cuentahora	Kit Horímetro	1
2	7/3013.....	Screw	Vis.....	Tornillo.....	Parafuse	M3 x 252
3	8/3002.....	Nut.....	Ecrou	Tuerca	Porca	M32
4	4/3002.....	Washer.....	Rondelle	Arandela.....	Anilha	M34
5	70/0309.....	Hourmeter.....	Compteur Horaire.....	Cuenta Horas	Horímetro	1
6	8/3002.....	Nut.....	Ecrou	Tuerca	Porca	M32
7	4/3002.....	Washer.....	Rondelle	Arandela.....	Anilha	M34
8	7/3013.....	Screw	Vis.....	Tornillo.....	Parafuse	M3 x 252
9	980/99993.....	Bush.....	Douille	Buje.....	Bucha	2



Trolley, Chariot, Carretilla, Trole

1	980/05300	Trolley Frame	Cadre de Chariot	Marco de la Carretilla	Armação de Trole	1
2	60/0439	Wheel	Roue	Rueda	Roda	2
3	980/05400	Latch	Verrou	Cerrojo	Trinco	1
4	XS35	Handle Grip	Poignée De Main	Empuñadura	Aperto De Mão	2
5	19.0.834	Locking Handle	Molette de verrouillage	Manillar inmovilizador	Punho de Aperto	1
6	4/2501	Washer	Rondelle	Arandela	Anilha	25mm
7	800/00300	Decal	Autocollant	Rótulo	Decalque	Belle Logo
8	4/1015	Washer	Rondelle	Arandela	Anilha	M10 X 35 X 6
9	800/99314	Decal	Autocollant	Rótulo	Decalque	1



BELLE
LIGHT
CONSTRUCTION
EQUIPMENT

ALTRAD BELLE

Sheen, Nr. Buxton, Derbyshire, SK17 0EU, GB

Tel. +44 (0)1298 84606 - Fax +44 (0)1298 84722 - Email: sales@altrad-belle.com

www.Altrad-Belle.com

EU IMPORTER ADDRESS

*ADRESSE DE L'IMPORTATEUR - DIRECCIÓN DEL IMPORTADOR - ENDEREÇO DO IMPORTADOR - ADRES IMPORTEUR
IMPORTØRENS ADRESSE - IMPORTEUR ADRESSE - INDIRIZZO DELL'IMPORTATORE - IMPORTÖRENS ADRESS - IMPORTØRADRESSE
MAAHANTUOJAN OSOITE - ADRES IMPORTERA - IMPORTIJA AADRESS - IMPORTĚTÁJA ADRESE - IMPORTUOTOJO ADRESAS
ADRESA DOVOZCE - ADRESA IMPORTATORULUI - IMPORTÓR CÍME - ADRESA UVOZNIKA - ÍTHALATÇI ADRESI - ADRESA DOVOZCU*

ALTRAD (Group Holding)

125, Rue du Mas Carbonnier, 34000, Montpellier, France

Tel. +33 (0) 4 67 50 53 66 - Email: admin@altrad.com

www.altrad.com