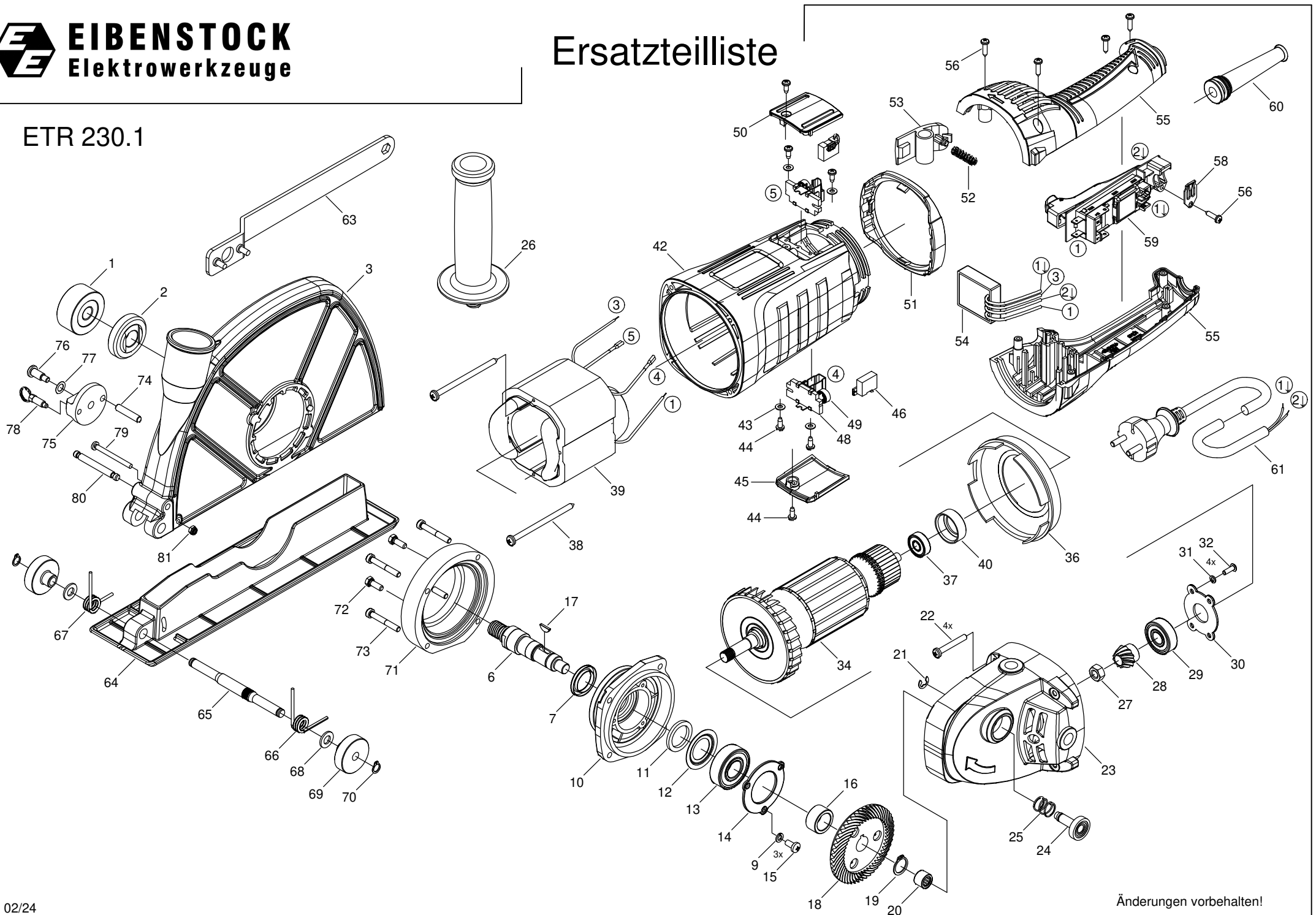


Ersatzteilliste

ETR 230.1



**0681C000****ETR 230.1 - 230V**

Version

01

Dated: 07.05.2024

Pos.	Description	Item No.	pc.	Pos.	Description	Item No.	pc.
1	Clamp nut	76812925	1	48	Brush holder	6634S048	2
2	Flange	7681C410	1	49	Spring	6634S049	2
3	Suction hood	7681C575	1	50	Brush holder cover 2	6634S050	1
6	Work spindle	6634S006	1	51	Intermediate ring	6634S051	1
7	Dust protection ring	6634S007	1	52	Compression spring	6634S052	1
9	Spring lock washer 5	80201302	3	53	Lever	6634S053	1
10	Gearbox cover	6634S010	1	54	Initial current limiter	6634S054	1
11	Felt ring	6634S011	1	55	Pair of handle halves	6634S055	1
12	Disc	6634S012	1	56	Screw 3,9x16	80201115	5
13	Grooved ball bearing 6203 2RS	80410130	1	58	Wire locking flange	6634S058	1
14	Bearing cover	6634S014	1	59	Switch	6634S059	1
15	Screw M5x10	80201138	3	60	Cable grommet	6634S060	1
16	Spacer	6634S016	1	61	Connecting cable 2x1,5mm ² 5m	80600403	1
17	Woodruff key 4x5	66637014	1	63	Face spanner	6634S063	1
18	Bevel gear	6634S018	1	64	Base plate	7681C580	1
19	Retaining ring 15x1	80201322	1	65	Axle	7681C765	1
20	Needle sleeve 101610	6634S020	1	66	Torsion spring, right	76811603	1
21	Lock washer 6	80201504	1	67	Torsion spring, left	76811604	1
22	Screw 5x35	80201456	4	68	Washer 8,4	80201377	2
23	Gearbox housing	6634S023	1	69	Slide roller	7681C230	2
24	Locking knob	6634S024	1	70	Shim ring 8x14x1	40600084	2
25	Pressure spring	6634S025	1	71	Intermediate ring	7681C680	1
26	Support handle	6634S026	1	72	Screw M5x14	80201663	2
27	Nut M8x1	6634S027	1	73	Screw M5x35	80201135	4
28	Bevel pinion	6634S028	1	74	Parallel pin 6x28	80200566	1
29	Grooved ball bearing 6201 2RSL	80410103	1	75	Limiter	76811585	1
30	Bearing cover	6634S030	1	76	Screw M5x12x7	80201513	1
31	Spring lock washer 4	80201301	4	77	Elastic shim	80200700	1
32	Screw M4x12	80201515	4	78	Snap bolt	80110102	1
34	Rotor, compl.	6634S034	1	79	Screw M5x45	80201156	1
36	Air guiding ring	6634S036	1	80	Arrestor	76811578	1
37	Grooved ball bearing 629 2RS	6634S037	1	81	Nut M4	80201019	1
38	Screw 4,8x80	80201297	2				
39	Stator, compl.	6634S039	1				
40	Bearing cap	6634S040	1				
42	Motor housing	6634S042	1				
43	Washer 4,3	80201371	4				
44	Screw 3,9x9,5	80201260	6				
45	Brush holder cover 1	6634S045	1				
46	Carbon brush	6634S046	2				